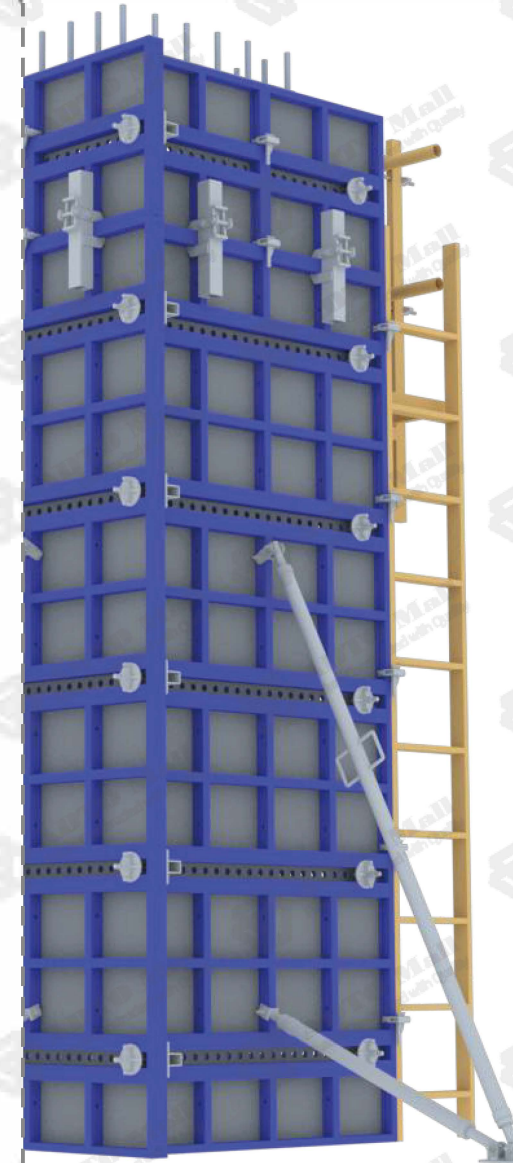


## T&B formwork system

High speed erection and dismantling

Less labour Less materials

More safety More efficient





## **Solve the Problem**

- Shortage skilled labour?
- Long time construction period?
- Difficult to reusable for next project?
- Large disposable waste?
- Financial pressure?

Horizontal by T-Form

Vertical by B-Form

Disencumber you of these trouble!

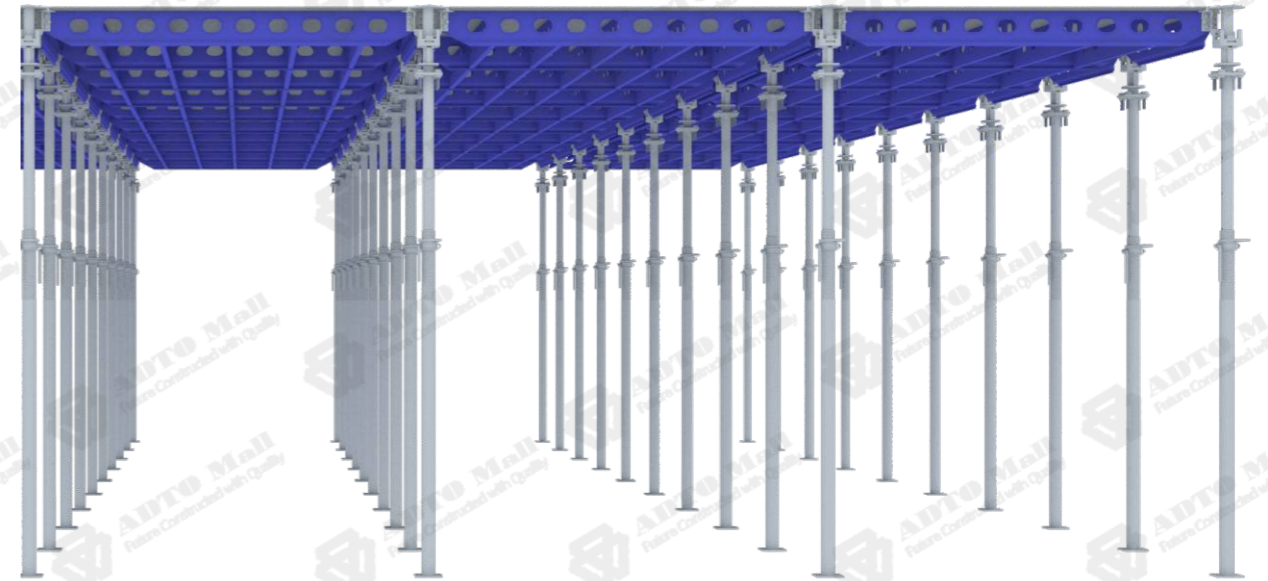


## **More Quickly:**

- Erect a column(shear wall) formwork within 30 minutes.
- High erection and dismantlement rate up to 100 m2 slab formwork per person every day.
- Efficient solutions for infill zones, beams, shear wall and dropping slab area.
- Minimal need for craneage during set-up and transfer.

## **More Safety: Always was first and most important criteria.**

- High strength ability panel
- Self lock clamp
- Pre-designed panel layout ensures every panel is put up correctly



## **More Simplicity:**

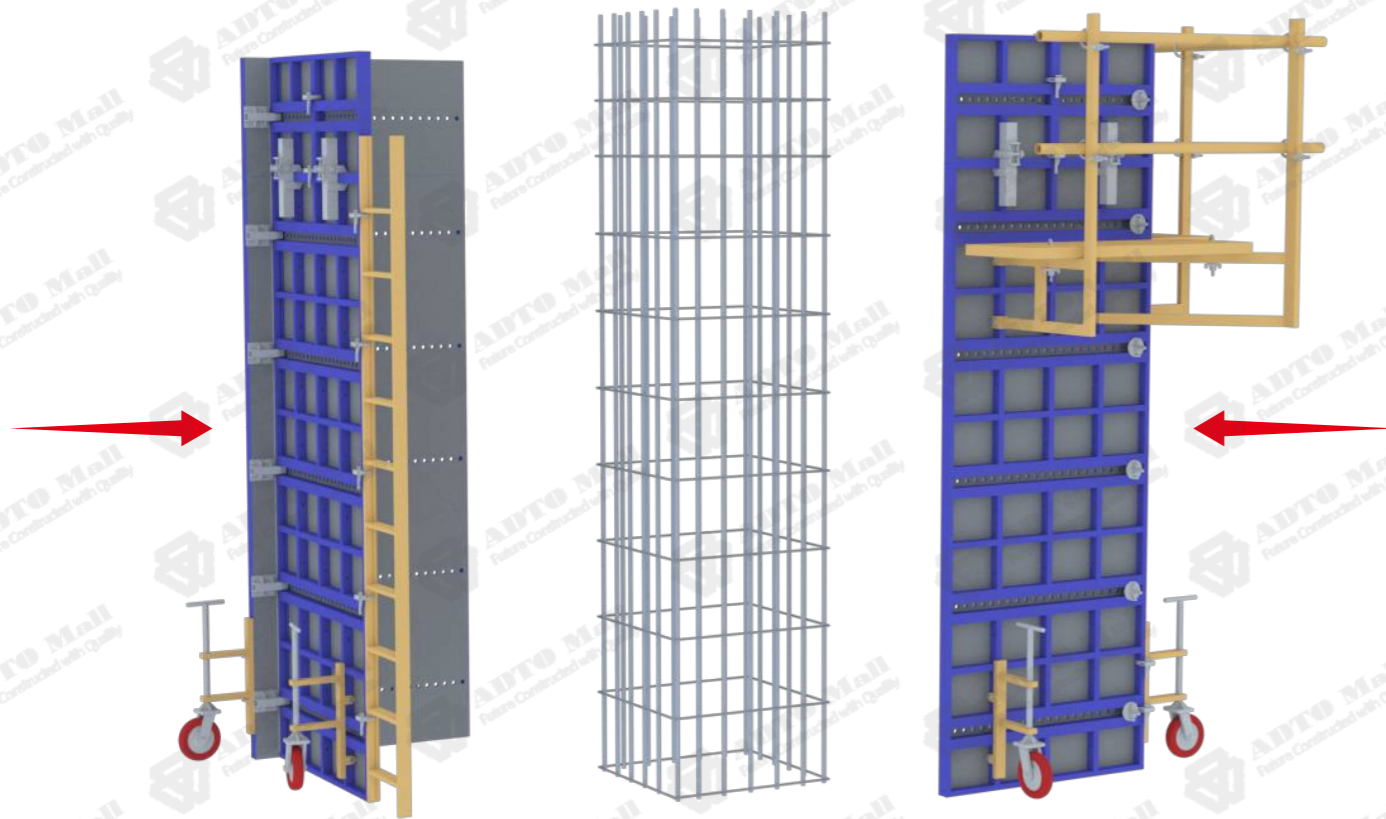
- Only hammer be required in operation.
- Manual erection and movement, minimal crane required
- Simple infill component is needed to fill the gap zone
- Easy to train and work with
- Multipurpose accessories





Different size by same formwork panel

No need waler No need tie rod



## **B-Form for vertical solution**

Perm. concrete pressure: 90 kN/m<sup>2</sup>

Size adjustable design give you flexible combination by few dimension panel.

Size adjustable as 5 cm increment min.

👉 Combining the panel : Larger and taller concrete body can be eco-nomically formed

💡 Seal off the unused holes in the formwork sheet of the Universal panels with plugs R 20.



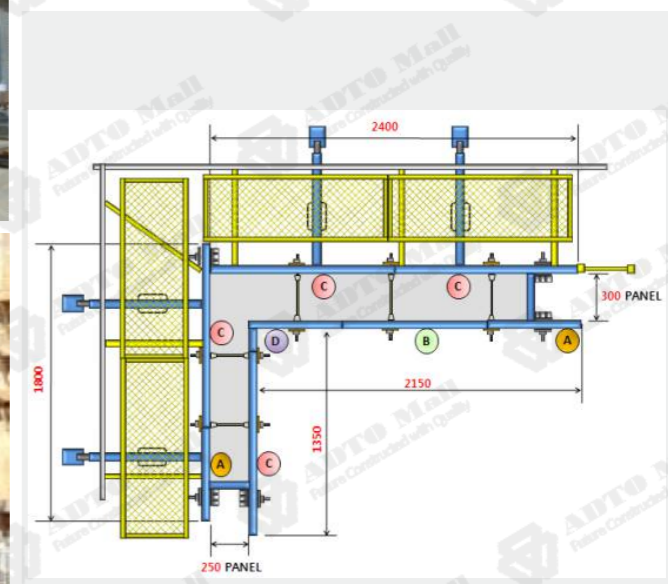
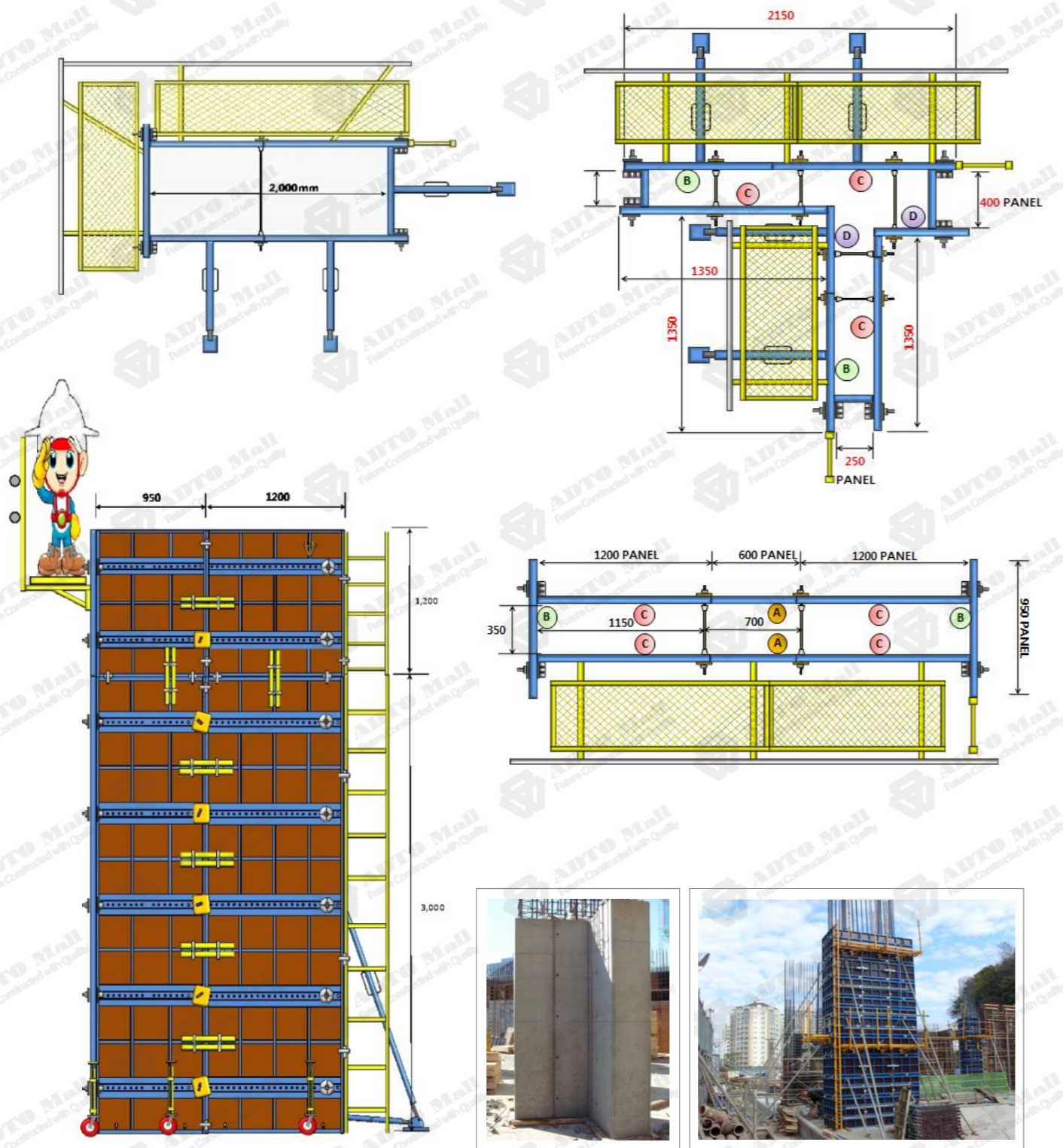
💡 Dismantle the formwork: will be no longer remove much components

Less working  
Fast dimentle  
Fast re-assembly  
Clean worksite



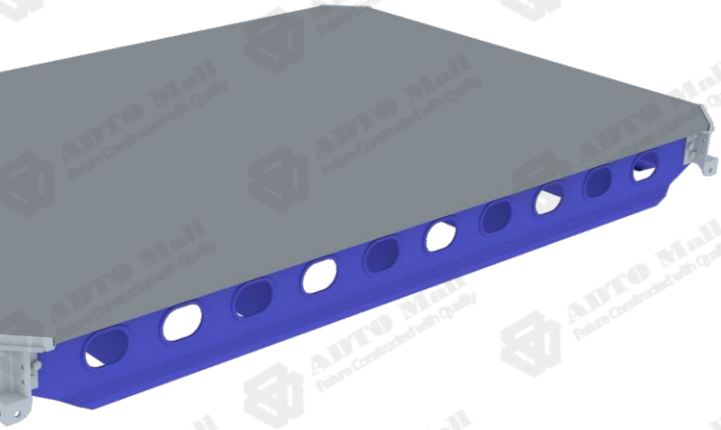


# Shear wall solution





## **T-Form for Slab solution**



### **Hand-held design**

Largest size panel 1800x1200mm only 44kg  
(Every person max. operating weight 22kg)

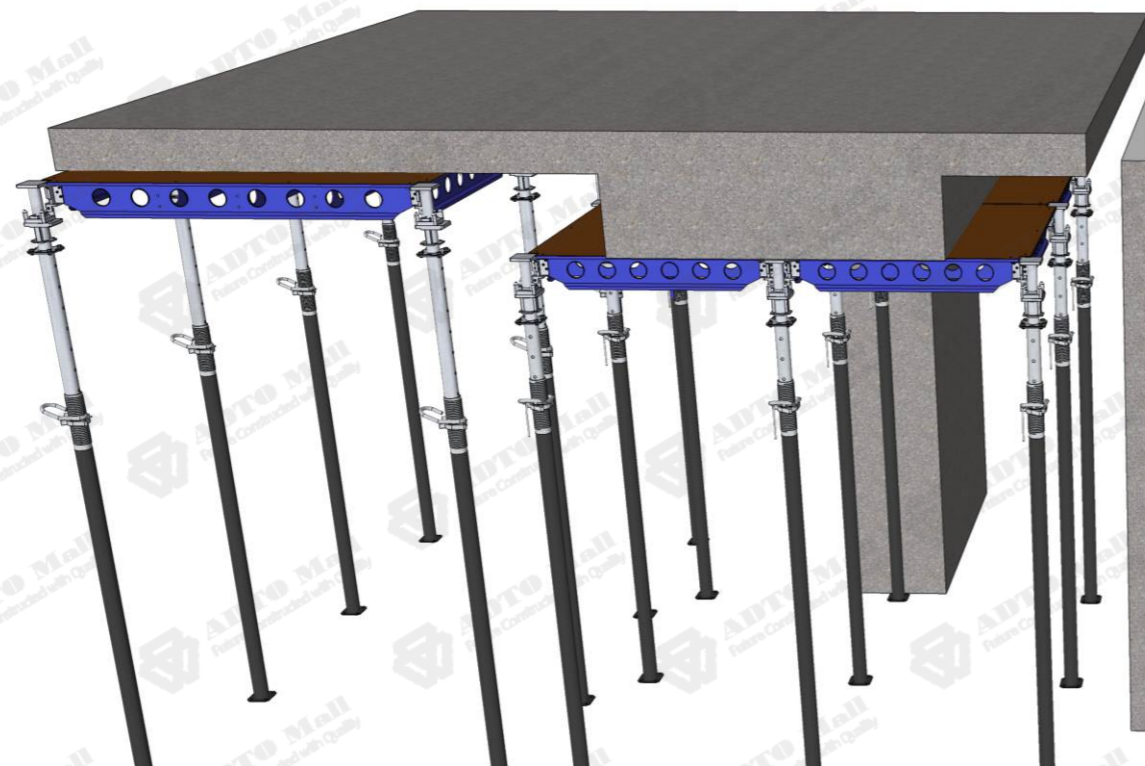
### **Only Panel & Prop**

Easy to be managed, storage, repair and search.

### **Minimal prop and panel numbers**

More clean more wide working space.

Column & beam Joint / Column drop panel



Column / wall connection

Beam bottom

Cantilever

### **Speed working**

Fast erection and dismantle, time-saving infill solutions for  
Joint wall & column, drop panel, beam bottom and cantilevers

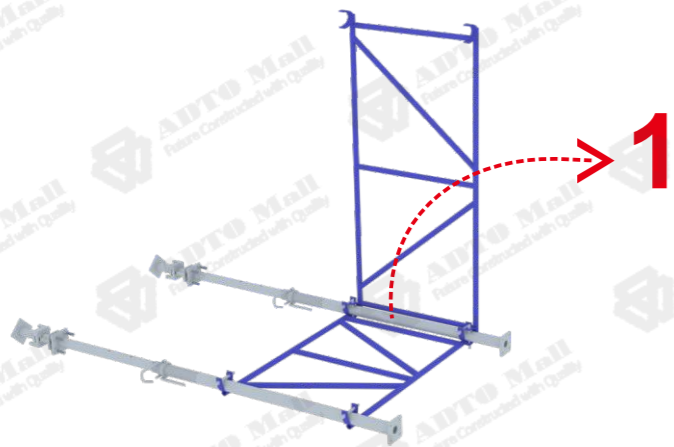
### **Much less crane-time be needed**

Working can move ahead rapidly, independently and without interruption even when the crane is fully occupied. The crane is no longer a 'choke-point' during formwork set-up.

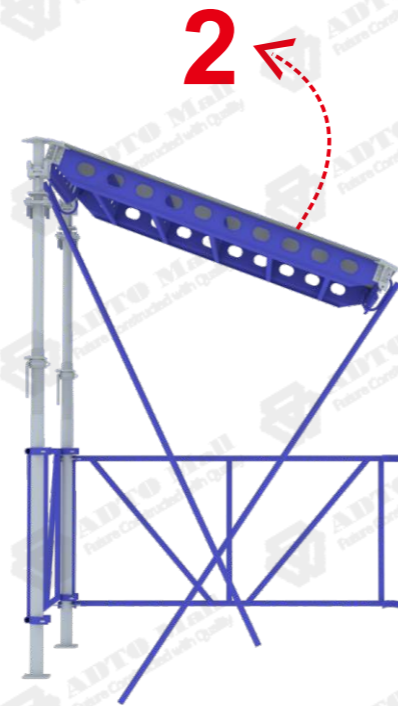
### **Standardized panel for various structure building**

From now no longer to worry about formwork reusable.

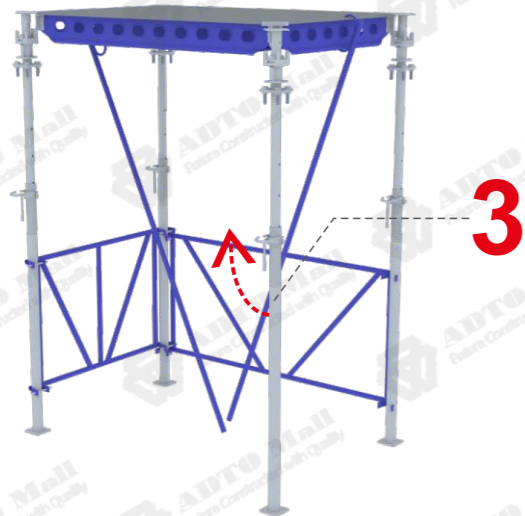




1



2



3

### Simple 3 step

Any unskilled labour can be trained and work with easy way. Erection speed can up to 100m<sup>2</sup> per worker/day even semi-skilled labour.

\* Gate Braces are provided and used as support frame at the initial stage of erection work. It's not needed any more after the first four props are erected and locked.

### Much less formwork materials be required

Early stripping design only 1 set of formwork panel with 2 or 3 sets prop system. Equal to 2 or 3 sets conventional formwork.

Save cost on purchase, transport & storage and give you more clean and safe jobsite.



Convenient for transfer

